

N SERIES

PUSH SWITCH



Feature -

- panel mount
- labor cost saving installation

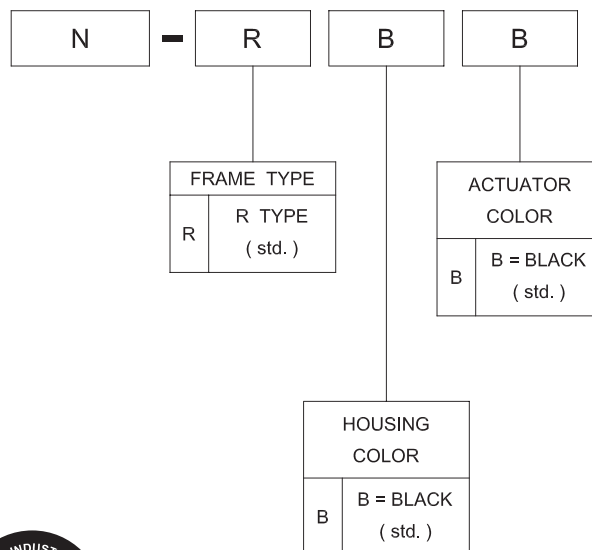
Application -

- various switching purpose
- in all kinds of electronic equipments

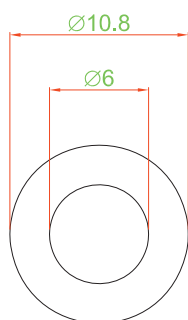
► SPECIFICATIONS

SWITCH SPECIFICATIONS	
POLE - POSITION	Momentary action , 1P1T
CONTACT RATING	30 V DC , 0.3 A
CONTACT RESISTANCE	40 mΩ MAX. 1.5 V DC ; 100 mA , by Method of Voltage DROP
INSULATION RESISTANCE	100 MΩ MIN. 500 V DC
DIELECTRIC STRENGTH	Breakdown is not Allowable ; 500 V AC for 1 Minute
OPERATING FORCE	250 ± 100gf
OPERATING LIFE	1,000,000 cycles
OPERATING TEMPERATURE RANGE	-20°C ~ 70°C

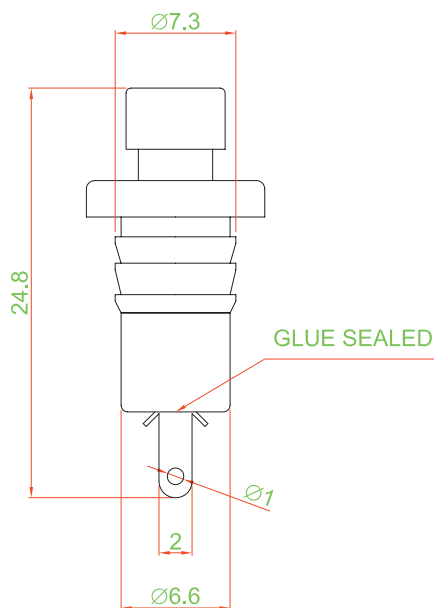
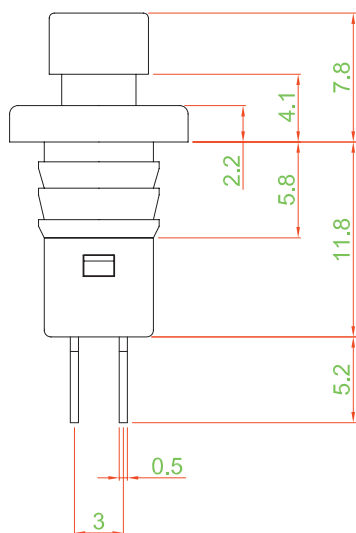
► HOW TO ORDER



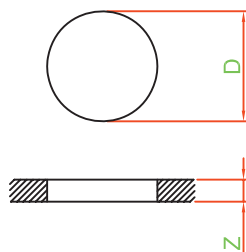
► DIMENSION



► N - RBB



► PANEL CUT OUT

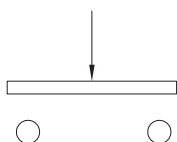


Z	D
1.0 ~ 2.0	6.6 ~ 6.8
2.0 ~ 2.5	6.8 ~ 7.0
2.5 ~ 3.0	7.0 ~ 7.2

► MATERIAL

- FRAME : PA
- ACTUATOR : PA + GF
- BASE FRAME : PA + GF
- TERMINAL : BRBNZE GOLD FLASH

► SCHEMATIC



► UNIT WEIGHT

- N-RBB : 1.0 ± 0.05 g / pc